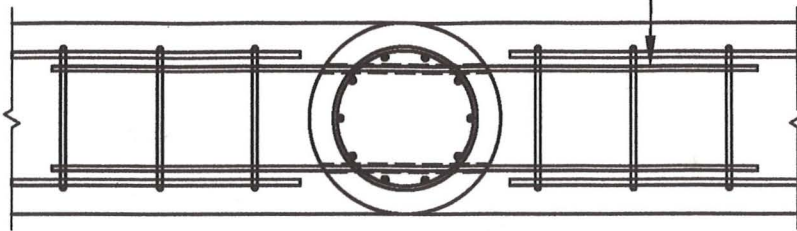
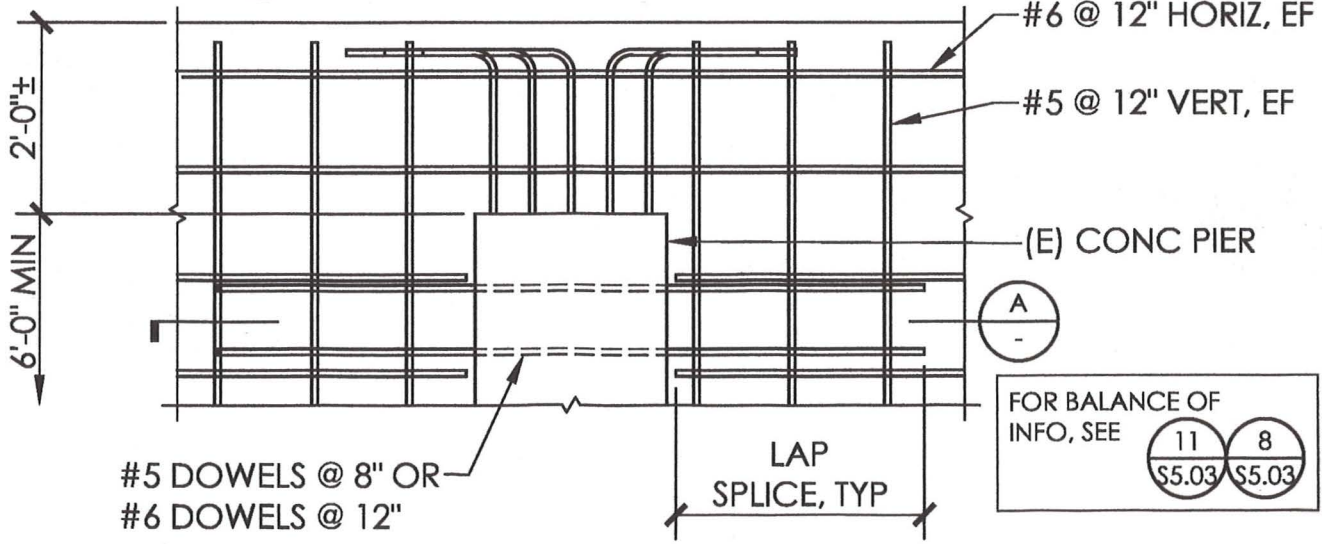


- NOTES: 1) WALL BARS ABOVE THE PIER CONTINUE OVER THE PIER. WALL BARS AT PIER CONTINUE THROUGH THE PIER
- 2) BUSH PIER SURFACE TO 1/4" AMPLITUDE.
- 3) APPLY REZI-WELD BONDING AGENT WHERE NEW CONCRETE IS POURED AGAINST EXISTING CONCRETE.

#5 ADH DOWELS @ 8" OR #6 ADH DOWELS @ 12". EPOXY SET W/ HILTI HIT-HY 200 CONFORMING TO ICC-ES REPORT ESR-3187, TYP



A PLAN VIEW



20.0 1
SSK S5.05

CONCRETE WALL AT EXISTING PIER

1/2"=1'-0"