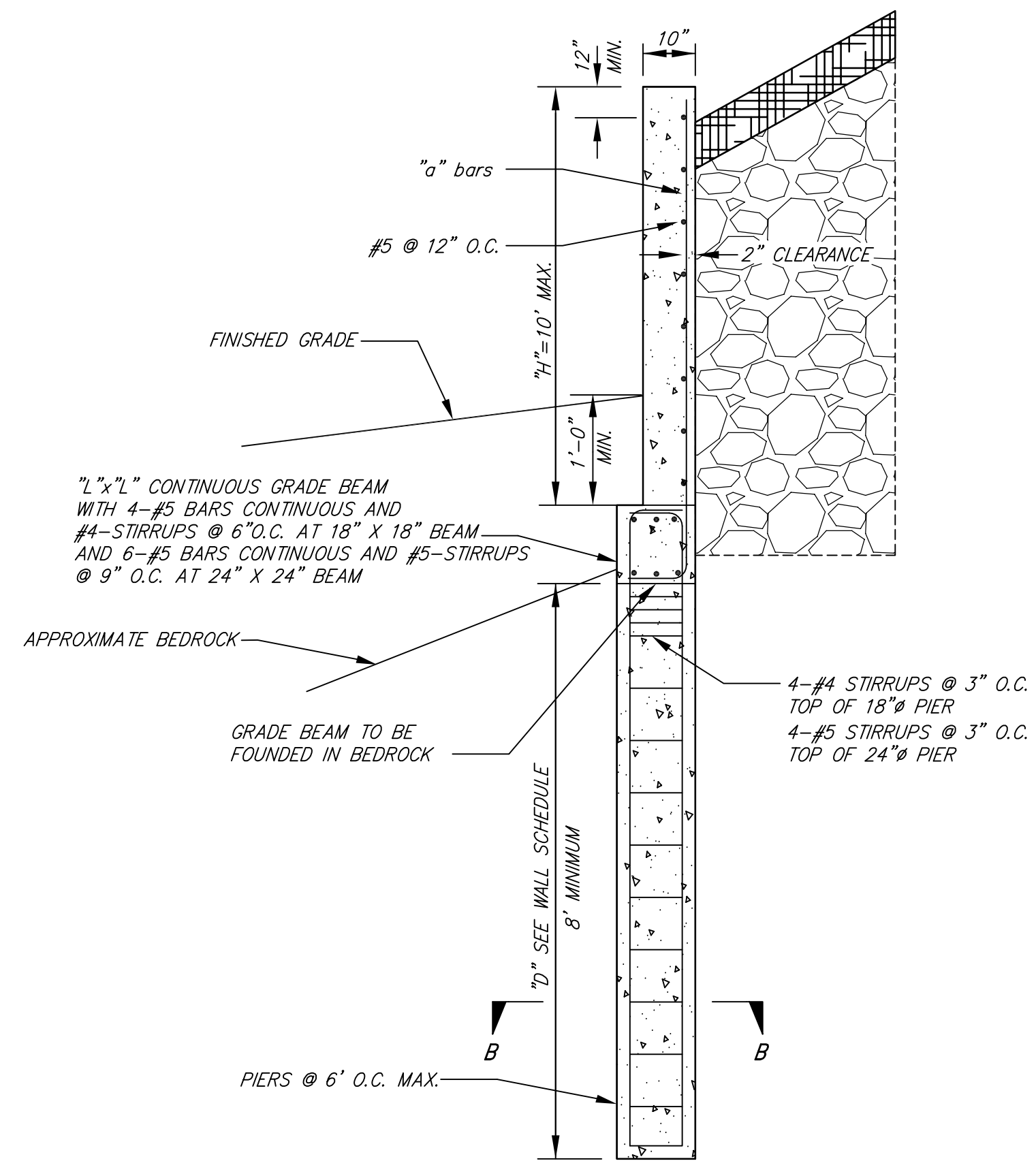


- NOTES:
- PERFORATED PIPE TO BE 6" DIAMETER SCHEDULE 40 P.V.C., OR ABS SDR 23.5, PERFORATIONS DOWN, 1% MIN. SLOPE. DISCHARGE PERFORATED PIPE INTO SOLID WALL PIPE. OUTLET PIPE TO EROSION RESISTANT AREA AS APPROVED BY LK.
 - BENCHES AND SUBDRAINS SHALL BE INSTALLED AS DIRECTED BY LK.

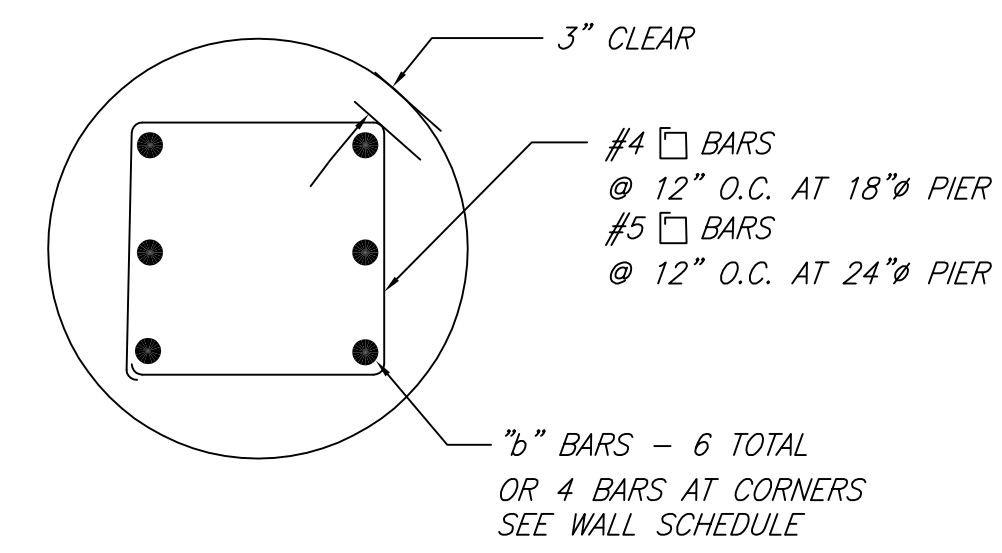
SUBDRAIN DETAIL
SLOPE BUTTRESS KEYWAYS AND BENCHES

N.T.S.



RETAINING WALL DETAIL

N.T.S.

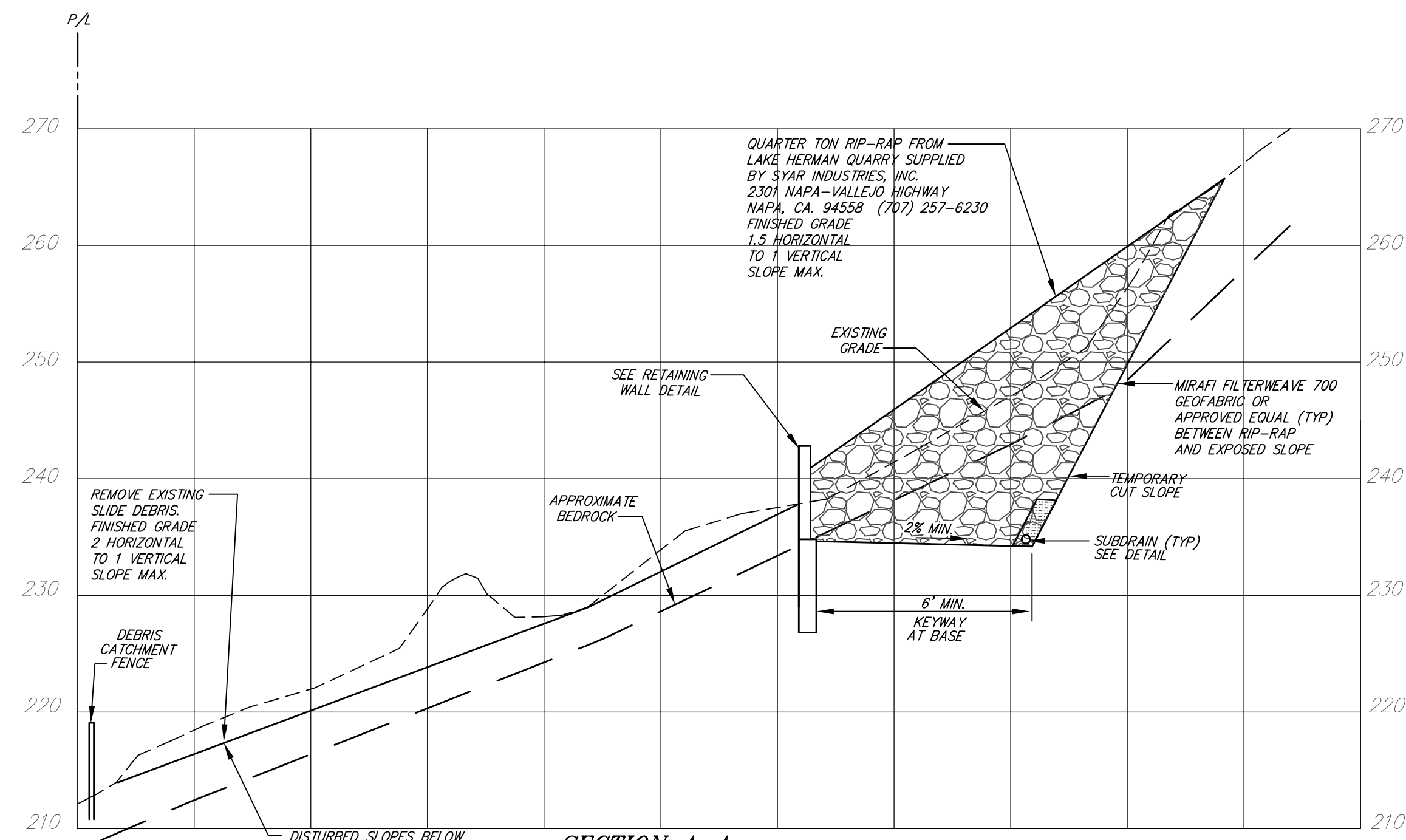


SECTION B-B

N.T.S.

WALL SCHEDULE

H	D	PIER SPACING	PIER DIAMETER	a	b	L
4'	8'	6'	18"	#5@12"	2-#4 EACH FACE	18"
8'	9'	6'	24"	#6@12"	2-#7 EACH FACE	24"
10'	11'	6'	24"	#7@12"	3-#8 EACH FACE	24"



SECTION A-A

SCALE 1"=10'

DISTURBED SLOPES BELOW WALL TO BE SEED WITH EROSION RESISTANT VEGETATION COVER WITH NORTH AMERICAN GREEN'S SC-150 EROSION CONTROL BLANKETS OR APPROVED EQUAL PER GEOTECHNICAL REPORT.

GENERAL NOTES

- ALL MATERIALS AND WORKMANSHIP SHALL CONFORM WITH THE FOLLOWING:
 - THESE PLANS.
 - THE STANDARD SPECIFICATIONS, CITIES OF MARIN, AND COUNTY OF MARIN.
 - JUNE 1979 UNIFORM CONSTRUCTION STANDARDS (UCS).
- THE OFFICE OF ILS ASSOCIATES, INC. (ILS) SHALL BE NOTIFIED IN ADVANCE OF CONDITIONS THAT REQUIRE ANY CHANGES FROM THESE PLANS.
- IT IS THE CONTRACTOR'S RESPONSIBILITY TO VERIFY THE LOCATION AND ELEVATION OF ALL EXISTING UTILITIES WITH THE APPROPRIATE AGENCIES PRIOR TO CONSTRUCTION.
- ANY DAMAGE TO THE ROADWAY CAUSED BY HEAVY EQUIPMENT, OR AS A RESULT OF THIS CONSTRUCTION, SHALL BE REPAIRED.
- ALL 4" AND 6" STORM DRAIN PIPE SHALL BE SCHEDULE 40 P.V.C. OR ASTM D-3034 SDR 35 UNLESS OTHERWISE NOTED ON THE PLAN. IN LOCATIONS WHERE PIPES PASS UNDER RETAINING WALL FOOTINGS THE PIPE SHALL BE ENCASED IN CONCRETE WITH A MINIMUM THICKNESS OF 6" ALL AROUND THE PIPE.
- ALL GRADED OR OTHERWISE DISTURBED AREAS SHALL BE SEED AS SOON AS PRACTICAL FOLLOWING COMPLETION OF WORK.
- THE CONTRACTOR AGREES THAT IN ACCORDANCE WITH GENERALLY ACCEPTED CONSTRUCTION PRACTICE, THE CONTRACTOR WILL BE REQUIRED TO ASSUME SOLE AND COMPLETE RESPONSIBILITY FOR JOB SITE CONDITIONS DURING THE COURSE OF CONSTRUCTION OF THE PROJECT, INCLUDING SAFETY OF ALL PERSONS AND PROPERTY; THAT THIS REQUIREMENT SHALL BE MADE TO APPLY CONTINUOUSLY AND NOT BE LIMITED TO NORMAL WORKING HOURS AND THE CONTRACTOR FURTHER AGREES TO DEFEND, INDEMNIFY AND HOLD ILS HARMLESS FROM ANY AND ALL LIABILITY, REAL OR ALLEGED, IN CONNECTION WITH THE PERFORMANCE OF WORK ON THIS PROJECT, EXCEPTING LIABILITY ARISING FROM THE SOLE NEGLIGENCE OF ILS.

GEOTECHNICAL NOTES

- SEE GEOTECHNICAL INVESTIGATION BY LAWRENCE B. KARP (LK) DATED AUGUST 1, 2007 WHICH SHALL BE CONSIDERED A PART OF THESE PLANS.
- THE LOCATION, DEPTH AND EXTENT OF PIERS AND THE LOCATION & EXTENT OF WALLS AS SHOWN ON THE PLANS SHALL BE CONSIDERED APPROXIMATE ONLY AND SHALL BE CONSTRUCTED AS DIRECTED BY LK. LK SHALL BE NOTIFIED AT LEAST (2) WORKING DAYS IN ADVANCE OF DRILLING PIERS.
- IT IS RECOMMENDED THAT THE CONTRACTOR DRILL AND POUR EVERY OTHER CONCRETE PIER BEFORE DRILLING AND POURING ADJACENT CONCRETE PIERS.
- CONCRETE FOR CONCRETE PIERS, GRADE BEAM AND WALL STEM SHALL BE CLASS "A" (6 SACK MIX) WITH 1" MAXIMUM AGGREGATE PLACED AT 4" SLUMP, $f_c=3000\text{psi}$, AND REINFORCING STEEL SHALL BE GRADE 60 BARS PER ASTM SPEC. A615.
- THE LOCATION, DEPTH AND EXTENT OF REPAIR, KEYWAY AND SUBDRAINS AS SHOWN ON THE PLANS SHALL BE CONSIDERED APPROXIMATE ONLY AND SHALL BE CONSTRUCTED AS DIRECTED BY LK.
- ALL EXISTING DEBRIS, EXCESS MATERIAL AND UNSUITABLE MATERIAL WITHIN THE AREA OF WORK WHICH ARE NOT INCORPORATED INTO THE WORK SHALL BE REMOVED TO A LEGAL DUMP SITE.
- DRAIN ROCK SHALL BE CALTRANS CLASS 2 PERMEABLE MATERIAL.

NOT APPROVED FOR CONSTRUCTION

ILS ASSOCIATES, INC.
CIVIL ENGINEERING AND LAND SURVEYING

79 GALLI DRIVE, SUITE A NOVATO, CA 94949-5717 (415)883-9200 FAX (415)883-2763

POMERANTZ
70 RANCHERIA ROAD

KENTFIELD CALIFORNIA 7969

NOTES AND DETAILS

DRAWN: M.E./M.J.M.
DATE: 8/3/07
JOB NO: 7969
SHEET NO: 3 OF 4

A.P.N.: 075-042-07
FIELD BOOK NO.: 216

Irving L. Schwartz, C.E.
R.C.E. 18221

7969SR4.dwg

N:\P\5007969.dwg\7969SR4.dwg SHFD-DDETAILS 8/20/2007 9:16:26 AM ILS Assoc. Inc., ME