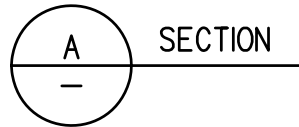


(N) HSS 6x2x $\frac{1}{4}$
(STAINLESS STEEL
T316)

$\frac{3}{4}$ " PLATE
(STAINLESS
STEEL T316)

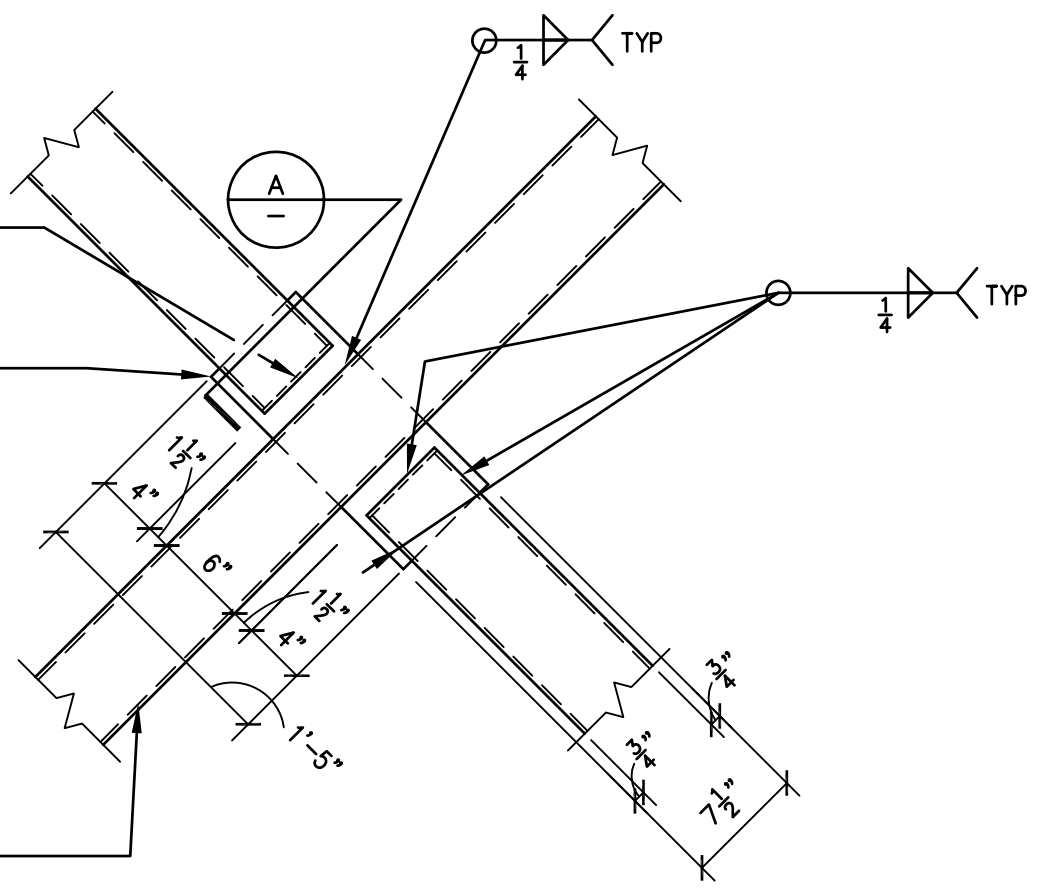
(TAPER BRACE CONNECTION
PLATES ONLY AT PILE
CONNECTIONS)



(N) $\frac{1}{4}$ " END CAP

$\frac{3}{4}$ " PLATE
(STAINLESS
STEEL T316)

(N) HSS 6x2x $\frac{1}{4}$
(STAINLESS STEEL
T316)



1
S17

BRACE TO BRACE CONNECTION – ELEV LOOKING WEST